

SUPSI

Swiss BiPV Competence Centre

Detail sheet

Semi-transparent elements for glass

PEAKIN



Product	PEAKIN
Producer / CH supplier	abakus solar AG
Address	Leithestrasse 39 D-45886 Gelsenkirchen
Contact	Tel: +49 209 730 801 00 Fax: +49 209 730 801 99 Mail : bipv@abakus-solar.de info@abakus-solar.de Web: www.abakus-solar.de

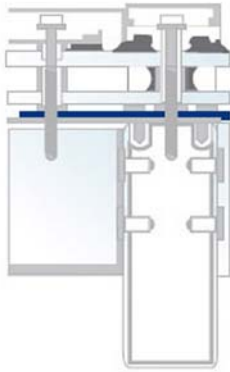
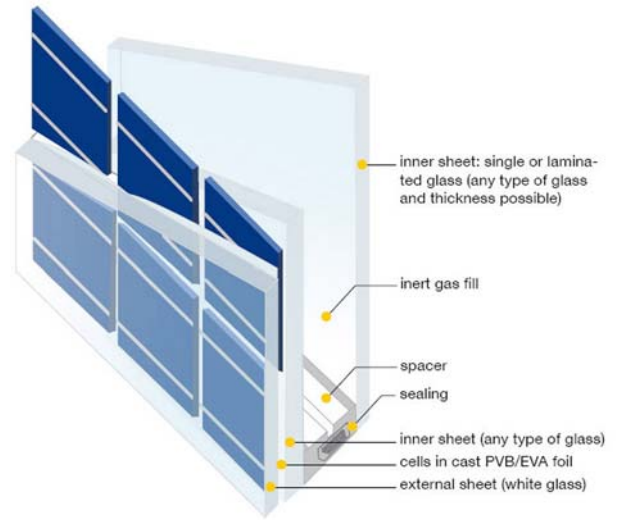
Product specifics

Glass/glass solar modules for building integrated photovoltaics.

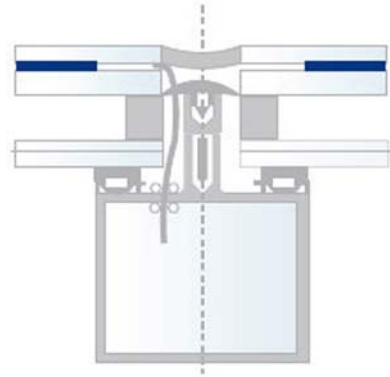
Glazing applications with BIPV: solar canopies, atria and skylights, curtain wall solar facades, warm and cold solar facades, roof integrated systems, balconies.

Technology:	Monocrystalline, multicrystalline, thin film (a-Si)
Power [W]:	200-220
Size [mm] L, w, t:	3000 (max) x 2000 (max)
Specific power [W/m²]:	95.2-104.8
Price [CHF/m²]:	-
Module weight [Kg]:	50
Specific weight [Kg/m²]:	23.8
Min. tilt:	-
Custom made:	Cell dimensions (125x125, 156x156), shape (Cell: square, rounded)
Certifications:	IEC61215, IEC61730

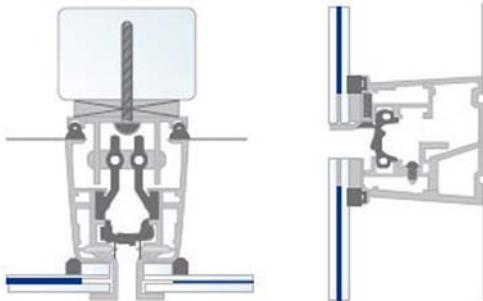
Product details



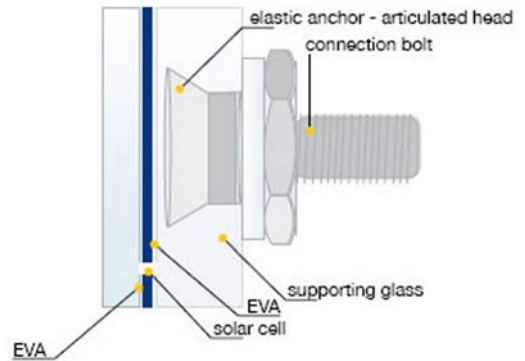
Steel mullion-transom stick system with a narrow face width.



Silicone joint.



SSG facade with glass-glass module.



Module anchoring with undercut borehole